

REVISIONS		DATE	APPROVED
REV.	DESCRIPTION		



Package Development Co., Inc.
 100 Roundhill Drive, Rockaway, N07866
 (973) 983-8500 FAX (973) 983-8666

PROPRIETARY AND CONFIDENTIAL THE INFORMATION CONTAINED IN THIS DRAWING IS THE SOLE PROPERTY OF Package Development Co., Inc. ANY REPRODUCTION IN PART OR AS A WHOLE WITHOUT THE WRITTEN PERMISSION OF Package Development Co., Inc. IS PROHIBITED. And further design, development, engineering, debugging and prototype might be necessary to produce a functional product. Designed and Engineered in part or in whole by Package Development Co. Inc. and owned by same.	COPIED TO DEPARTMENTS		CUSTOMER:		PROJECT		REV	
	Production Records							0
	Design							
	Tool Shop							
	Sales							
Q.C.								
Operations								
			MATERIAL & STARTING GAUGE		NAME	DATE	SIZE	DWG. NO.
			FINISH		DRAWN			
			DO NOT SCALE DRAWING		CHECKED		A	ALL TOLERANCES ARE + 1/32

5

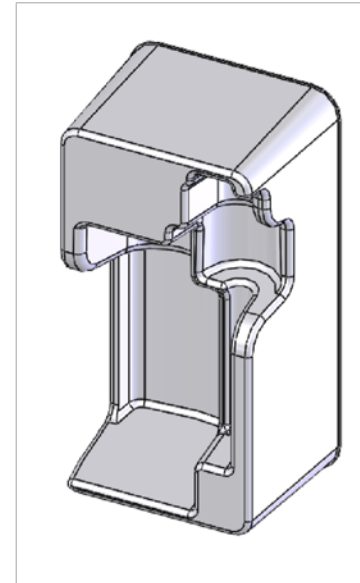
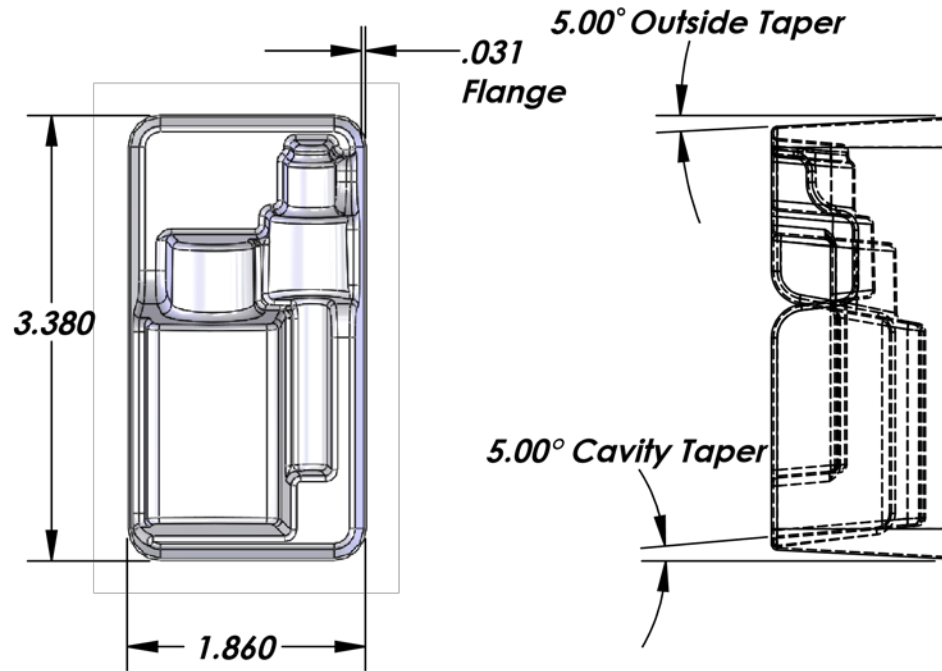
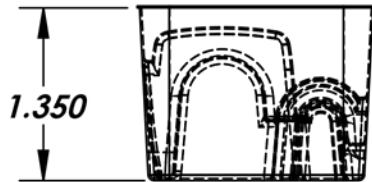
4

3

2

1

REVISIONS			
REV.	DESCRIPTION	DATE	APPROVED



Package Development Co., Inc.
 100 Roundhill Drive, Rockaway, NJ 07866
 (973) 983-8500, FAX (973) 983-8666

PROPRIETARY AND CONFIDENTIAL
 THE INFORMATION CONTAINED IN THIS DRAWING IS THE SOLE PROPERTY OF Package Development Co., Inc. ANY REPRODUCTION IN PART OR AS A WHOLE WITHOUT THE WRITTEN PERMISSION OF Package Development Co., Inc. IS PROHIBITED. And further design, development, engineering, debugging and prototype might be necessary to produce a functional product. Designed and Engineered in part or in whole by Package Development Co. Inc. and owned by same.

COPIED TO DEPARTMENTS	
Production Records	
Design	
Tool Shop	
Sales	
Q.C.	
Operations	

CUSTOMER:		PROJECT	
Klearfold		Essie "Fill the Gap" Tray	
MATERIAL & STARTING GAUGE	NAME	DATE	SIZE
RPET .020	GDR	2/8/13	A
FINISH	DRAWN	CHECKED	
DO NOT SCALE DRAWING			

DWG. NO.	REV
T113-005	0
ALL TOLERANCES ARE ± 1/32	

5

4

3

2

1