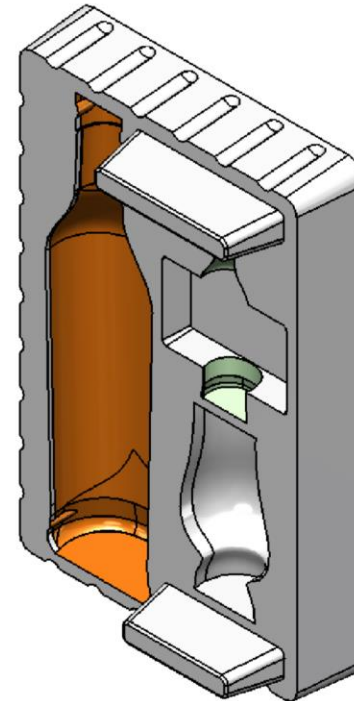
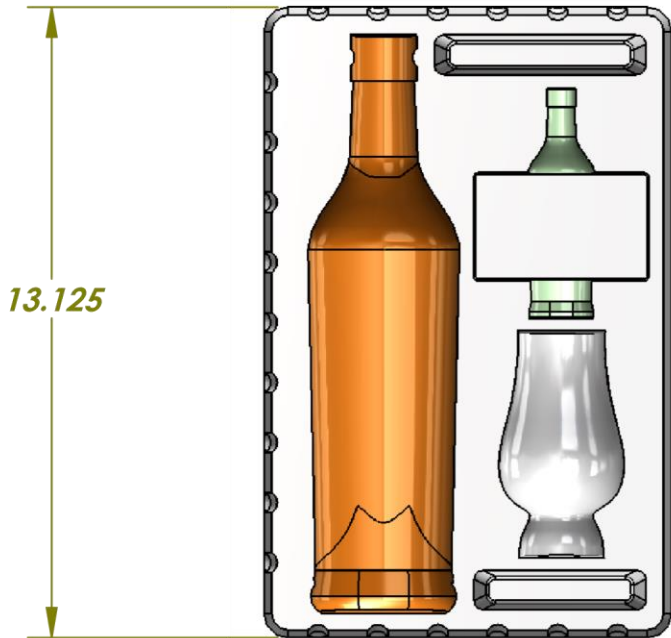
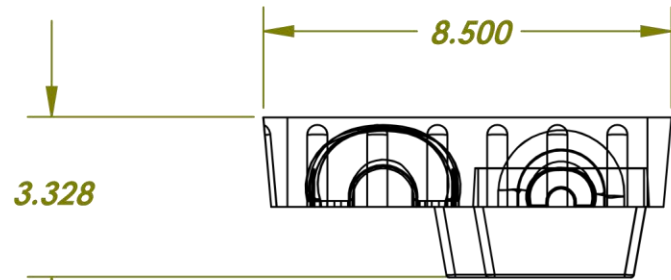


REVISIONS			
REV.	DESCRIPTION	DATE	APPROVED



Package Development Co., Inc.
 100 Roundhill Drive, Rockaway, NJ 07866
 (973) 983-8500, FAX (973) 983-8666

PROPRIETARY AND CONFIDENTIAL

CUSTOMER:

PROJECT

Glenfiddich Spec

PROPRIETARY AND CONFIDENTIAL

These designs are sole property of Package Development Co., Inc. and further design, development, engineering, debugging and prototype might be necessary to produce a functional product.

THE INFORMATION CONTAINED IN THIS DRAWING IS THE SOLE PROPERTY OF Package Development Co., Inc. ANY REPRODUCTION IN PART OR AS A WHOLE WITHOUT THE WRITTEN PERMISSION OF Package Development Co., Inc. IS PROHIBITED.

MATERIAL

NAME

DATE

SIZE

DWG. NO.

REV

FINISH

DRAWN

GDR

A

DO NOT SCALE DRAWING

CHECKED

ALL TOLERANCES ARE $\pm 1/32$

5

4

3

2

1