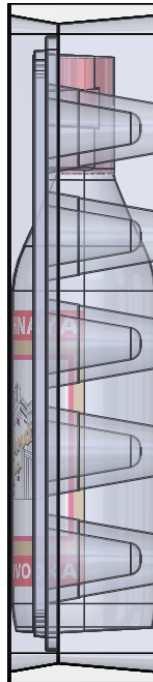
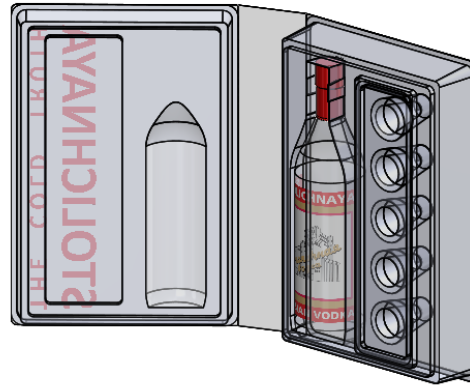
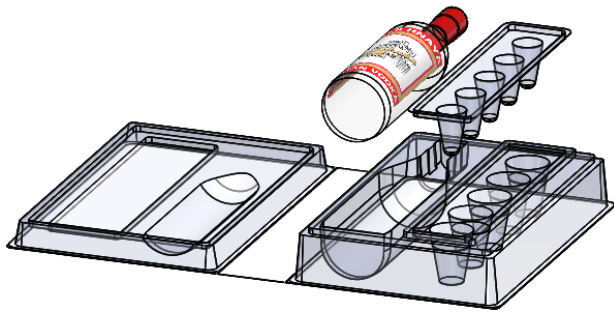


REVISIONS		DATE	APPROVED
REV.	DESCRIPTION		



Package Development Co., Inc.
 100 Roundhill Drive, Rockaway, NJ 07866
 (973) 983-8500, FAX (973) 983-8666

PROPRIETARY AND CONFIDENTIAL
 THE INFORMATION CONTAINED IN THIS DRAWING IS THE SOLE PROPERTY OF Package Development Co., Inc. ANY REPRODUCTION IN PART OR AS A WHOLE WITHOUT THE WRITTEN PERMISSION OF Package Development Co., Inc. IS PROHIBITED. And further design, development, engineering, debugging and prototype might be necessary to produce a functional product. Designed and Engineered in part or in whole by Package Development Co., Inc. and owned by same.

COPIED TO DEPARTMENTS	
Production Records	
Design	
Tool Shop	
Sales	
Q.C.	
Operations	

CUSTOMER:	
MATERIAL & STARTING GAUGE	NAME
FINISH	DRAWN
DO NOT SCALE DRAWING	CHECKED

PROJECT	
STOLICHNAYA	
DATE	SIZE
NAME	DWG. NO.
	A
ALL TOLERANCES ARE ± 1/32	

REV
0

5

4

3

2

1